

# SPECIFICATIONS OF Model GP-1871F/GP-1971F

## GPS/WAAS

Receive Type	GPS	72 channels
	WAAS	1 channel
Receiving Frequency	L1(1575.42 MHz)	
Time to First FIX	100 s approx. (cold start)	
Tracking Velocity	999 kn	
SBAS(Satellite-based Augmentation System)	WAAS, EGNOS, MSAS	
Electronic Chart	C-MAP 4D	

## ACCURACY

Internal Antenna	GPS:10 m Max, WAAS: 5 m Max, MSAS: 7.5 m Max
------------------	--

## DISPLAY

Type	GP-1871F: 7" Wide Color TFT LCD GP-1971F: 9" Wide Color TFT LCD
Screen Size	GP-1871F: 154 x 85 mm GP-1971F: 199 x 113 mm
Screen Resolution	WVGA 800 x 480 pixels
Screen Brightness	1000 cd/m <sup>2</sup> (typical)
Language	English (US & UK), French, Spanish, German, Italian, Portuguese, Danish, Swedish, Norwegian, Finnish, Greek, Japanese, Chart Plotter, Fish Finder, Radar*1, AIS*2, Instruments*3 (Nav Data, Engine, Wind, Fuel tank, Autopilot*4, etc.), GPS status
Display Modes	*1: Connection to the 1st Watch Wireless Radar DRS4W required *2: Connection to AIS sensor required *3: Connection to external sensors required *4: Connection to the FURUNO NAVpilot-300 or 700 series required
Memory Capacity	30,000 points for ship's track and waypoints 1,000 planned routes (Max. 50 points per route) 5,000 quickpoints

## FISH FINDER

Frequency	CW: 50/200 kHz, CHIRP: 40 to 225 kHz
Transducer	300 W or 600 W or 1 kW (Transducer dependent)
Range	5-1,200 m, shift: 0-500 m
Modes	TrueEcho CHIRP™, RezBoost™, ACCU-FISH™, Bottom Discrimination™, Auto gain (Fishing/Cruising), Manual gain, A-Scope, Marker Zoom, Bottom Zoom, Bottom Lock
	* CHIRP dedicated transducer required.
	** Dual frequency compatible traditional transducer required.
Picture Advance	8 steps: x4, x2, 1/1, 1/2, 1/4, 1/8, 1/16, stop

## WIRELESS LAN

Frequency	2.4 to 2.472 GHz (1 to 13 channels), IEEE802.11b/g/n
Security	WAPI, IEEE802.11i advanced security

## INTERFACE

NMEA0183*	1 Port
* Software version 2.0 or later Interface(NMEA0183)	Input
	DBT, DPT, DSC, DSE, GGA, GLL, GNS, HDG, HDT, MTW, MWV, RMA, RMC, ROT, RSA, THS, TLL, VHW, VTG, ZDA, PFEC (GPatt/SDmrk/SDtbd/SDtfl/pireq)
	Output
	AAM, APB, BOD, BWR, DBT, DPT, GGA, GLL, GNS, GSA, GSV, GTD, HDG, HDT, MTW, MWV, RMA, RMB, RMC, RTE, THS, TLL, VHW, VTG, WPL, XTE, ZDA, PFEC (SDmrk/SDtbd/SDtfl/pidat)
CAN bus	1 Port
Interface(CAN bus)	Input
	126992, 127245, 127250, 127251, 127258, 127488, 127489, 127493, 127497, 127505, 128259, 128267, 128275, 129025, 129026, 129029, 129038, 129039, 129040, 129041, 129284, 129285, 129538, 129540, 129793, 129794, 129798, 129808, 129809, 129810, 130306, 130310, 130311, 130312, 130313, 130314, 130316, 130577, 130830, 130831, 130832, 130880
	Output
	126992, 127245, 127250, 127251, 127257, 127258, 127505, 128259, 128267, 128275, 129025, 129026, 129029, 129033, 129283, 129284, 129285, 130306, 130310, 130312, 130316, 130830, 130831, 130832
Micro SD Card Slot	2 Slots, up to 32 GB (SD, SDHC Supported)

## ENVIRONMENT

Temperature	-15°C to +55°C
Waterproofing	IP56

## POWER SUPPLY

GP-1871F:	12-24 VDC, 1.0-0.5 A
GP-1971F:	12-24 VDC, 1.0-0.5 A

## EQUIPMENT LIST

<b>Standard</b>	Display Unit (GP-1871F or GP-1971F) Installation Materials and Spare Parts
<b>Option</b>	Option list on <a href="http://www.furuno.com">www.furuno.com</a> Compatible transducers on <a href="http://www.furuno.com">www.furuno.com</a>

# FURUNO

## GPS/WAAS CHART PLOTTER with CHIRP FISH FINDER

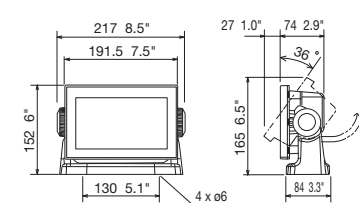
Model GP-1871F  
Model GP-1971F

7"

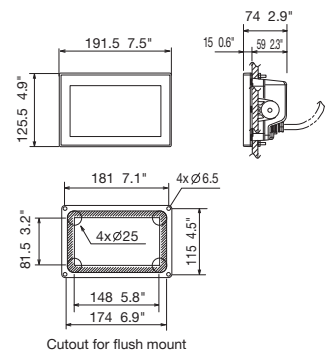
9"

### GP-1871F Display Unit

(Bracket Mount) 1.1 kg 2.4 lb

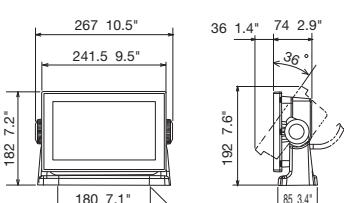


(Flush Mount) 0.9 kg 2.0 lb

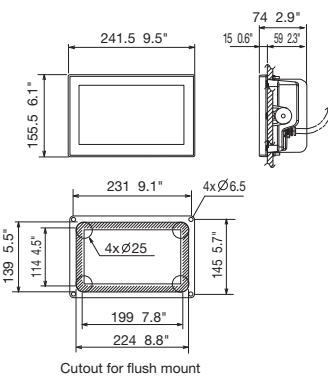


### GP-1971F Display Unit

(Bracket Mount) 1.5 kg 3.3 lb



(Flush Mount) 1.3 kg 2.9 lb



Beware of similar products

All brand and product names are registered trademarks, trademarks or service marks of their respective holders.

SPECIFICATIONS SUBJECT TO CHANGE WITHOUT NOTICE

**FURUNO ELECTRIC CO., LTD.**  
Japan | [www.furuno.com](http://www.furuno.com)  
**FURUNO U.S.A., INC.**  
U.S.A. | [www.furunousa.com](http://www.furunousa.com)  
**FURUNO PANAMA S.A.**  
Republic of Panama | [www.furuno.com.pa](http://www.furuno.com.pa)  
**FURUNO (UK) LIMITED**  
U.K. | [www.furuno.co.uk](http://www.furuno.co.uk)  
**FURUNO NORGE A/S**  
Norway | [www.furuno.no](http://www.furuno.no)

**FURUNO DANMARK A/S**  
Denmark | [www.furuno.dk](http://www.furuno.dk)  
**FURUNO SVERIGE AB**  
Sweden | [www.furuno.se](http://www.furuno.se)  
**FURUNO FINLAND OY**  
Finland | [www.furuno.fi](http://www.furuno.fi)  
**FURUNO POLSKA Sp. z o.o.**  
Poland | [www.furuno.pl](http://www.furuno.pl)  
**FURUNO DEUTSCHLAND GmbH**  
Germany | [www.furuno.de](http://www.furuno.de)

**FURUNO FRANCE S.A.S.**  
France | [www.furuno.fr](http://www.furuno.fr)  
**FURUNO ESPAÑA S.A.**  
Spain | [www.furuno.es](http://www.furuno.es)  
**FURUNO ITALIA S.R.L.**  
Italy | [www.furuno.it](http://www.furuno.it)  
**FURUNO HELLAS S.A.**  
Greece | [www.furuno.gr](http://www.furuno.gr)  
**FURUNO (CYPRUS) LTD**  
Cyprus | [www.furuno.com.cy](http://www.furuno.com.cy)

**FURUNO EURUS LLC**  
Russian Federation | [www.furuno.ru](http://www.furuno.ru)  
**FURUNO SHANGHAI CO., LTD.**  
China | [www.furuno.com/cn](http://www.furuno.com/cn)  
**FURUNO CHINA CO., LTD.**  
Hong Kong | [www.furuno.com/cn](http://www.furuno.com/cn)  
**FURUNO SINGAPORE**  
Singapore | [www.furuno.sg](http://www.furuno.sg)

**PT FURUNO ELECTRIC INDONESIA**  
Indonesia | [www.furuno.id](http://www.furuno.id)

1-B-18023SK  
Catalogue No. CA000001223



More details on  
[www.furuno.com](http://www.furuno.com)

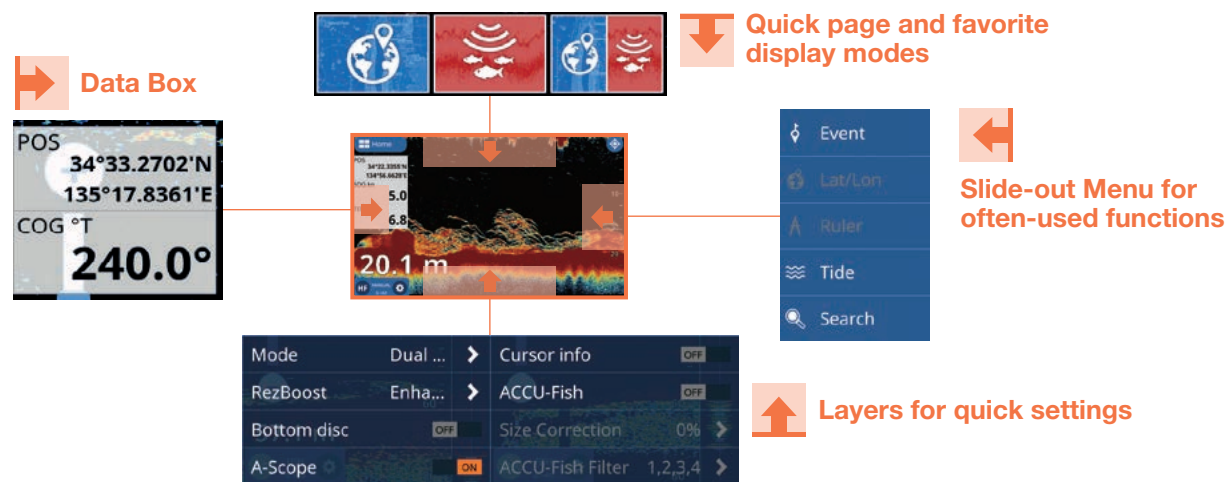
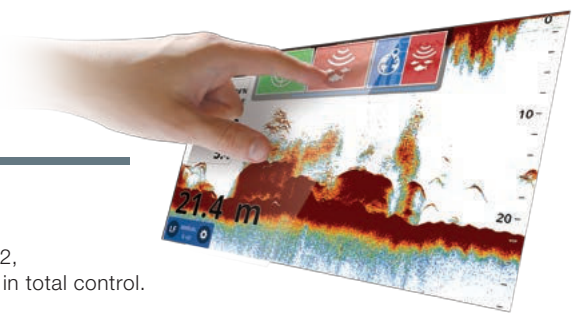




# Multi-Touch Interface

## Convenient and intuitive slide-out menus

The GP-1871F/1971F smart interface, inherited from the NavNet TZtouch2, features slide-out menus containing all the tools and data you need to be in total control.



## Display modes customization

Customize your display modes and create the perfect combination to fit your individual needs.

## Easy screenshot!

Tap the display with two fingers to capture a screenshot that will be saved directly to your micro SD card.

# Chart Plotter (with internal GPS antenna)

## Detailed Chart with C-MAP 4D compatibility

By using the incredibly rich C-MAP 4D charts, the GP-1871F/1971F delivers highly precise data that features plenty of useful information, such as relief vectors, tidal streams and marine plans, considerably enhancing your navigational awareness.



C-MAP Chart data



Chart Plotter with instruments panels

## Autopilot controls\*



Chart Plotter with NAVpilot controls



Via the CAN bus network interface, The NAVpilot-300 and NAVpilot-711C can be connected to the GP-1871F and GP-1971F and controlled directly from the Chart Plotter.

\*Coming soon

## C-Map C-Weather

C-Weather data can be downloaded from C-map.com providing Wind, Wave, Weather, Humidity and Temperature information.

## Plotter with AIS symbols

When connected to an AIS receiver, the GP-1871F/1971F will display the latest AIS data and provide vessel information.

## Various display modes

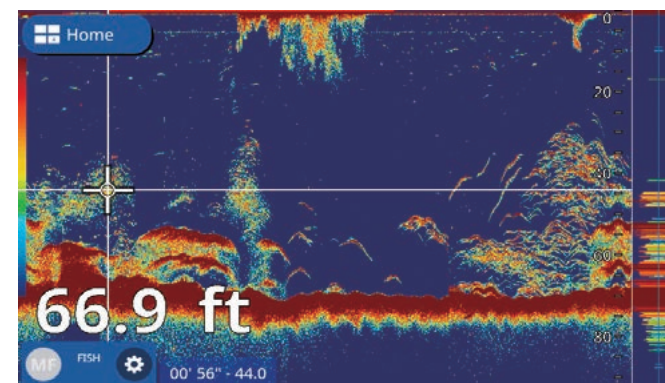
Including Shaded reliefs, 3D and Satellite views.

# Built-in CHIRP Fish Finder

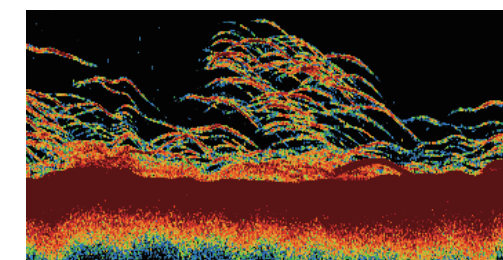


## Unmatched detail with TruEcho CHIRP™

\*Requires connection to a CHIRP transducer



Fish echoes displayed with a CHIRP transducer



The high level of detail available with TruEcho CHIRP™ technology helps to distinguish fish schools, even when close to the sea bed.

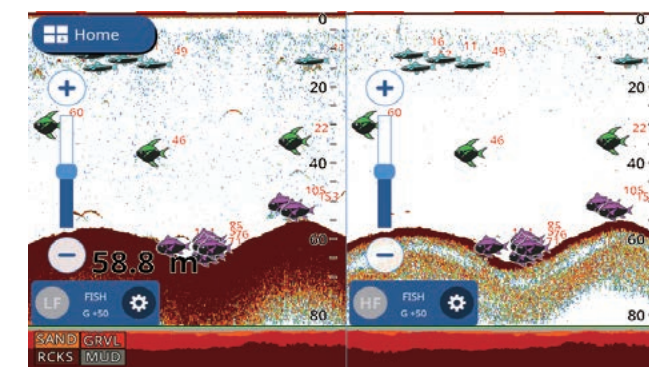
Fish can be observed with a very high resolution and are displayed in a distinct boomerang shape. The clear presentation marks individual game fish and bait fish, even when tightly schooled together.

## ACCU-FISH™ and Bottom Discrimination with RezBoost™

\*Requires connection to a compatible Traditional Dual-Frequency transducer

With FURUNO's RezBoost™ data processing technology, fish schools and echoes are shown with high resolution while you can assess fish size and bottom composition thanks to ACCU-FISH™ and Bottom Discrimination functions.

Additionally, ACCU-FISH™ icons and colors can be freely customized according to the size and depth of the targeted fish.



ACCU-FISH™ and Bottom Discrimination with RezBoost™

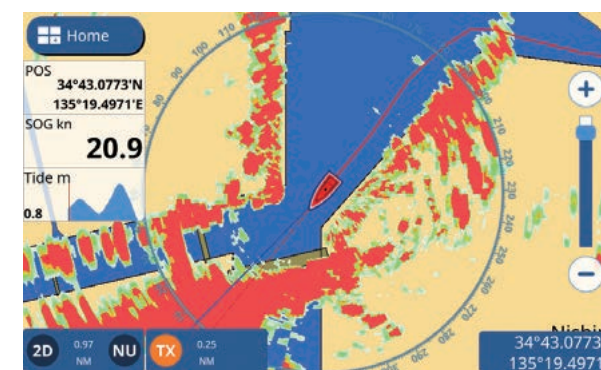


# Wireless Radar Connection



## DRS4W 1st Watch Wireless Radar

The GP-1871F and GP-1971F are connectable to the 1st Watch Wireless Radar (Output Power 4 kW) giving your Chart Plotter a major upgrade in accuracy and safety.



Radar overlay mode



Wireless connection Between DRS4W and GP-1871F and GP-1971F