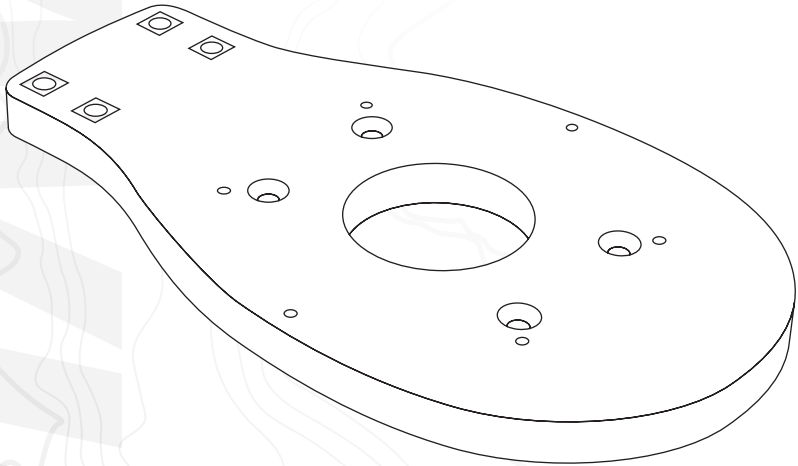


SEAVIEW

ELEVATE YOUR ELECTRONICS



INSTALLATION INSTRUCTIONS

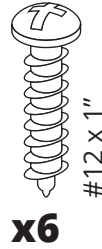
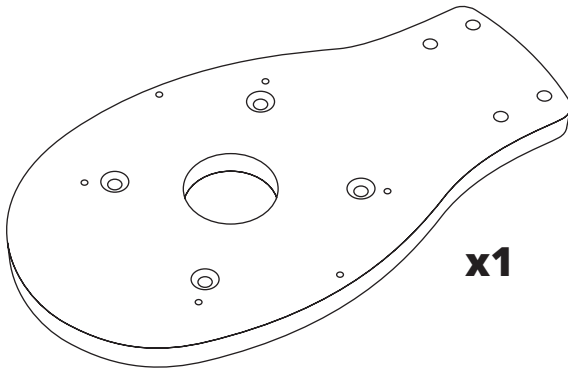
For Seaview Modular Top Plate:

ADA-F2

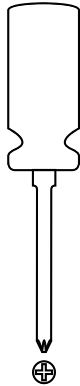
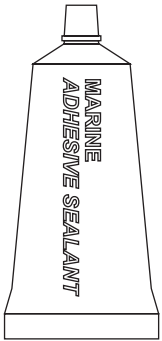
Refer to website for most up to
date instructions and videos.

WWW.SEAVIEWGLOBAL.COM

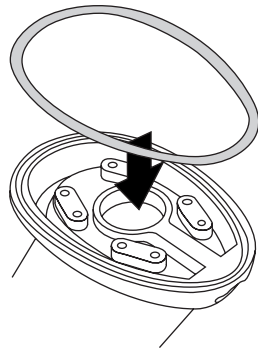
PARTS INCLUDED



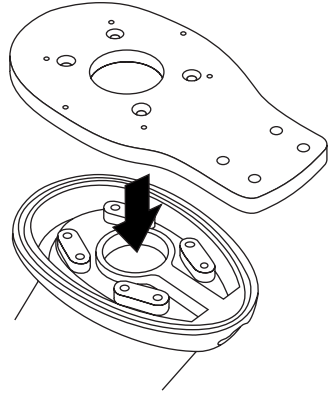
TOOLS NEEDED



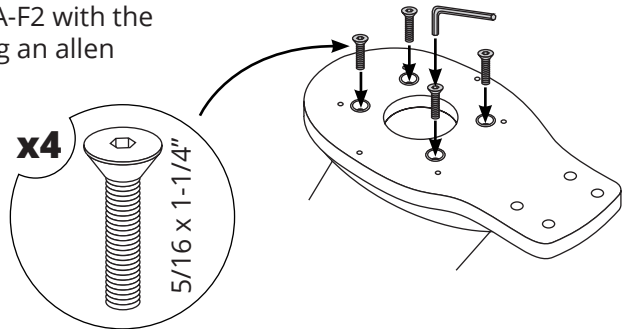
- 1** Insert rubber gasket onto the top of the Seaview mount. (Rubber gasket included with Seaview Mount.)



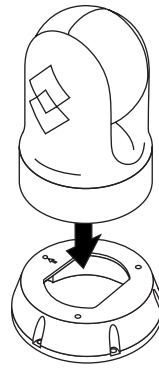
- 2** Place the ADA-F2 on top of the mount.



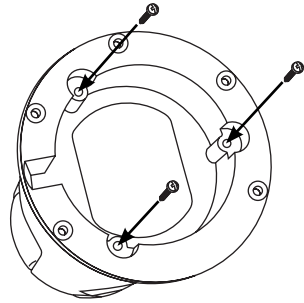
- 3** Secure the ADA-F2 with the four bolts using an allen 3/16" wrench.



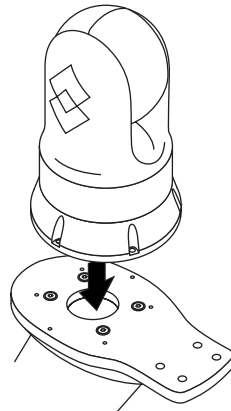
- 4** Mount the FLIR M100 or M200 to the top of the adapter provided by FLIR.



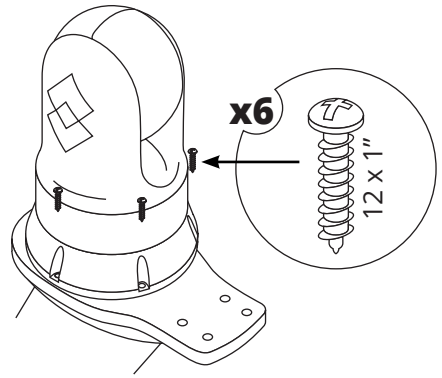
- 5** Secure the FLIR M100 or M200 to the adapter with the hardware specified by your electronics manufacturer.



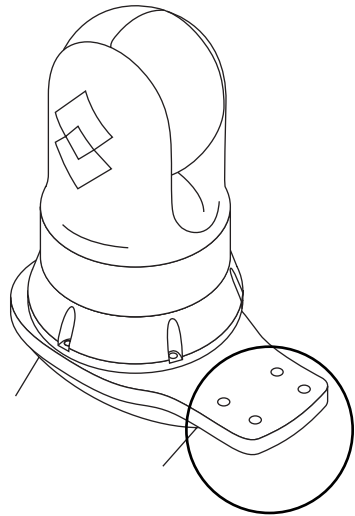
- 6** Place the FLIR camera on top of the ADA-F2 top plate. Make sure that the six holes on the adapter line up with the six holes on the top plate.



7 Secure the adapter to the ADA-F2 top plate using the provided six #12 x 1" screws with a philips head screwdriver.



8 The four holes on the back of the ADA-F2 are for securing the optional Seaview Light Bar to the top plate.



This page is intentionally left blank.

This page is intentionally left blank.

The background of the entire page is a light gray topographic map with white contour lines. The lines are irregular and wavy, representing terrain elevation. The map covers the entire page, with the text elements overlaid on it.

SEAVIEW///
ELEVATE YOUR ELECTRONICS

SEAVIEW///

Tel: 800-655-7922
www.seaviewglobal.com

EUROPEAN OFFICE

Tel: +33 4 94 53 27 70
www.seaviewprogress.com

3-062618