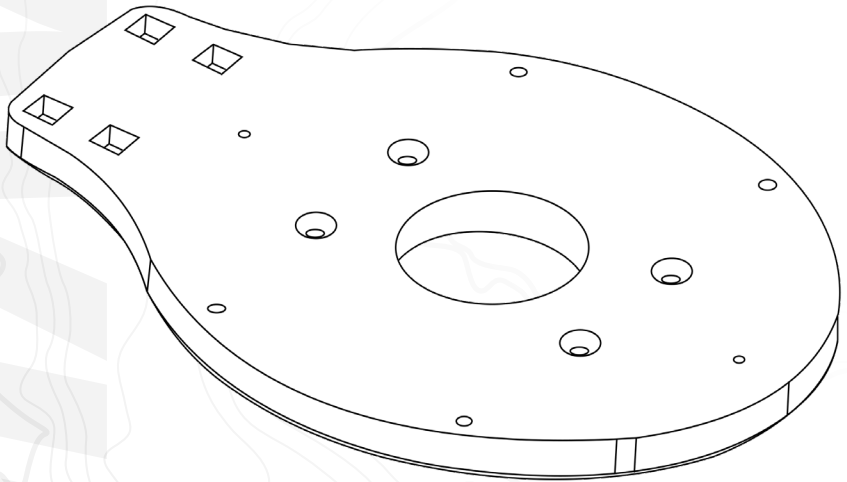


# **SEAVIEW**

**ELEVATE YOUR ELECTRONICS**



## **INSTALLATION INSTRUCTIONS**

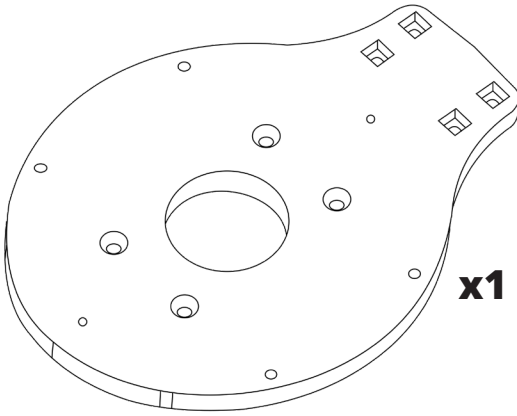
For Seaview Modular Top Plate:

**ADA-F3**

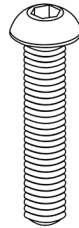
Refer to website for most up to date instructions and videos.

**[WWW.SEAVIEWGLOBAL.COM](http://WWW.SEAVIEWGLOBAL.COM)**

# PARTS INCLUDED

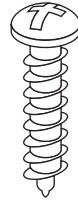


**x1**



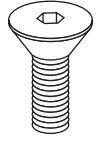
M6 x 45mm

**x4**



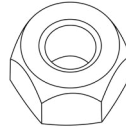
#12 x 1"

**x2**

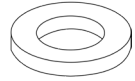


5/16 x 1-1/4"

**x4**



**x4**



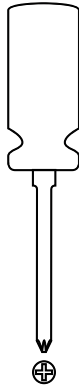
**x4**

---

# TOOLS NEEDED

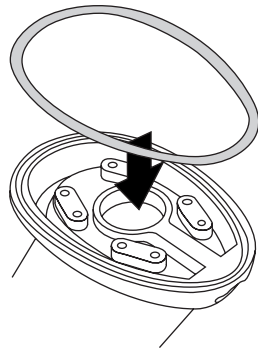


3M 4000 or equivalent

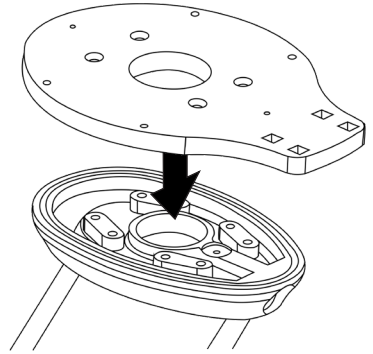


3/16" = 4.763mm

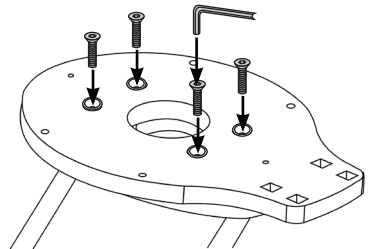
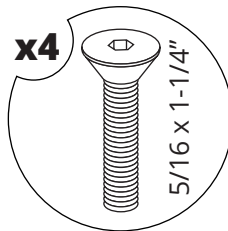
- 1** Insert rubber gasket on top of the Seaview mount. (Rubber gasket included with Seaview Mount.)



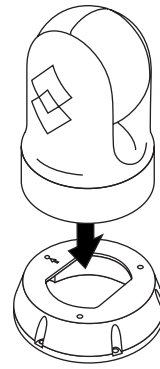
- 2** Place the ADA-F3 on top of the mount.



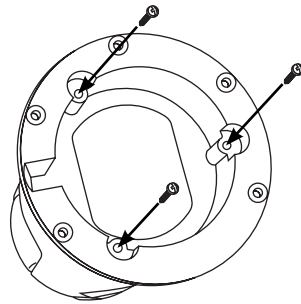
- 3** Secure the ADA-F3 with the four bolts using a 3/16" Allen Wrench.



**4** Mount the FLIR M300 Series to the top of the adapter provided by FLIR.

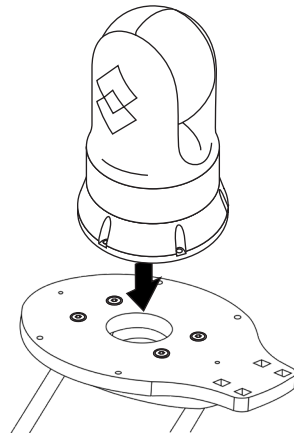


**5** Secure the FLIR M300 Series to the adapter with the hardware specified by your electronics manufacturer.

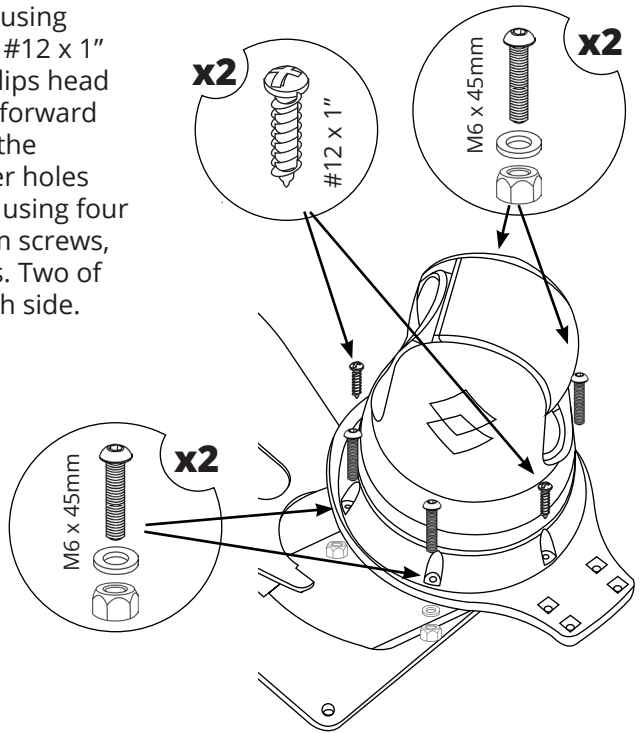


**6** Place the FLIR camera on top of the ADA-F3 top plate. Make sure that the six holes on the adapter line up with the six holes on the top plate.

**Note:** you can set the home position (forward) of the FLIR camera after installation. The directional indicator on screen can be calibrated too. (refer to FLIR for questions about the FLIR set-up).

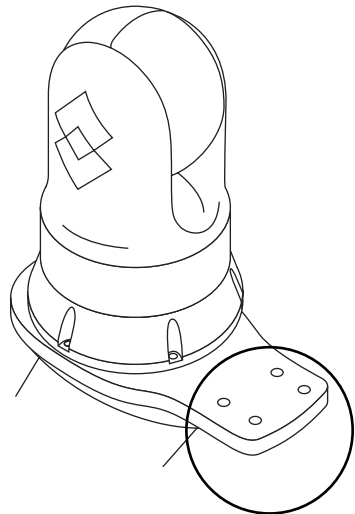


**7** Secure the adapter to the ADA-F3 top plate using the provided two #12 x 1" screws with a philips head screwdriver (one forward and one aft). For the remaining adapter holes you will thru-bolt using four of the M6 x 45mm screws, washers and nuts. Two of each used on each side.



---

**8** The four holes on the back of the ADA-F3 are for securing the optional Seaview Light Bar to the top plate.



The background of the entire page is a light gray topographic map with white contour lines. The lines are irregular and wavy, representing elevation changes across a landscape. The map is centered and covers the entire area.

***SEAVIEW***///  
***ELEVATE YOUR ELECTRONICS***

***SEAVIEW***///

Tel: 800-655-7922  
[www.seaviewglobal.com](http://www.seaviewglobal.com)

***EUROPEAN OFFICE***

Tel: +33 4 94 53 27 70  
[www.seaviewprogress.com](http://www.seaviewprogress.com)

4-010520