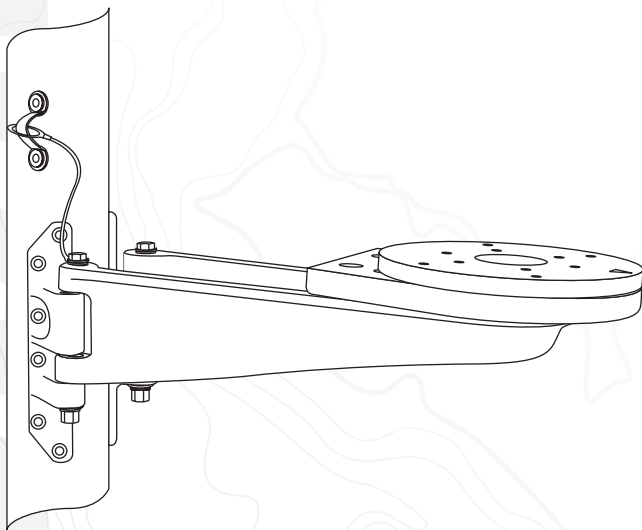


# **SEAVIEW**

**ELEVATE YOUR ELECTRONICS**



## **INSTALLATION INSTRUCTIONS**

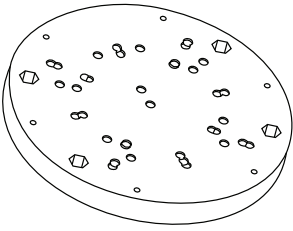
For Seaview Mast Mount:

**SM14F2**

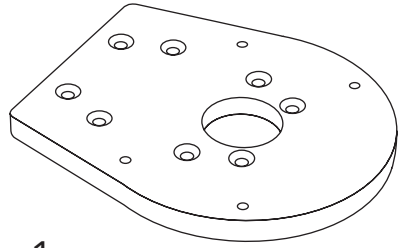
Refer to website for most up to  
date instructions and videos.

**[WWW.SEAVIEWGLOBAL.COM](http://WWW.SEAVIEWGLOBAL.COM)**

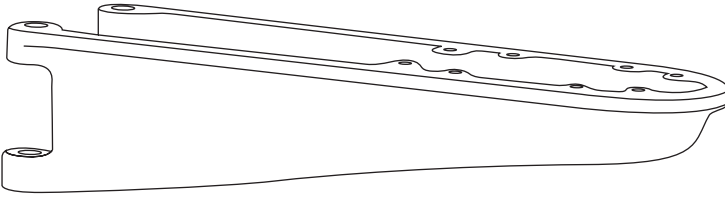
# PARTS INCLUDED



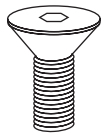
x1  
SLADAPT3



x1  
SMFMADAPT



x1



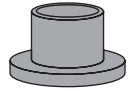
x8



x4



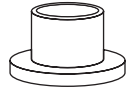
x2



x12



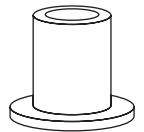
x2



x4



x3

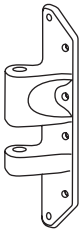


x10



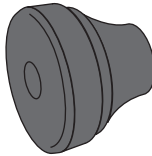
SMMBR-2

x1



SMMBL-2

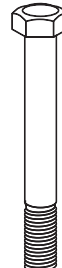
x1



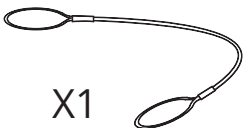
x1



x14



x2



x1

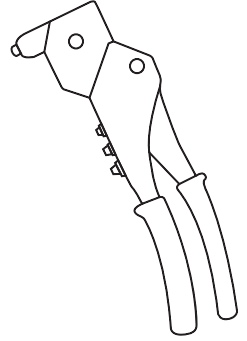


x1

# TOOLS NEEDED



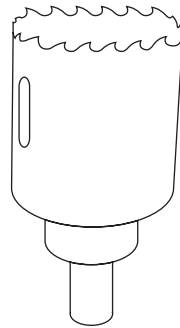
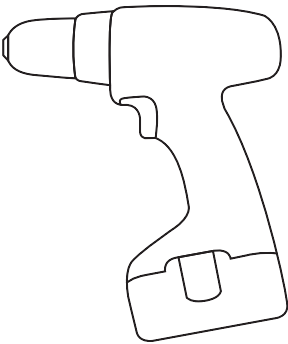
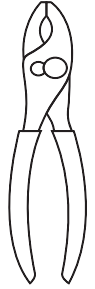
Sudbury Elastomeric Marine Sealant is recommended. To purchase call 800-655-7922 or visit [www.seaviewglobal.com](http://www.seaviewglobal.com)



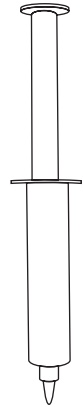
5/16" = 8mm



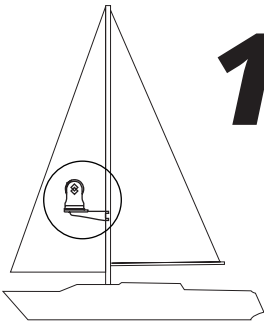
3/16" = 4.7mm



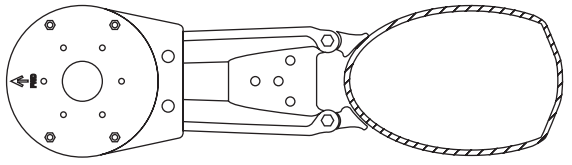
15/16" = 25mm



Tef-Gel or Equivalent

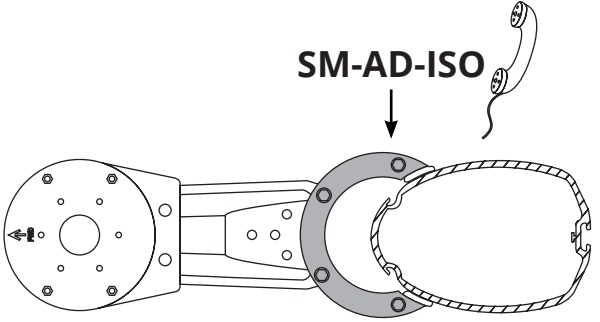


**1A**



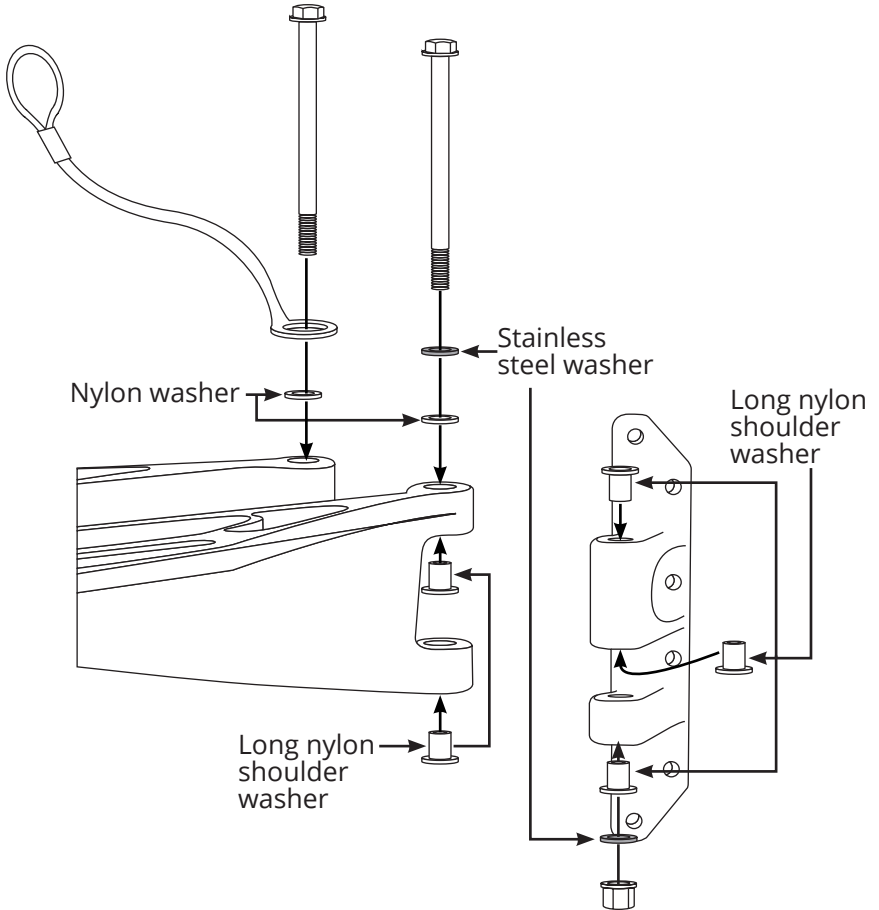
**SM-AD-ISO**

**1B**



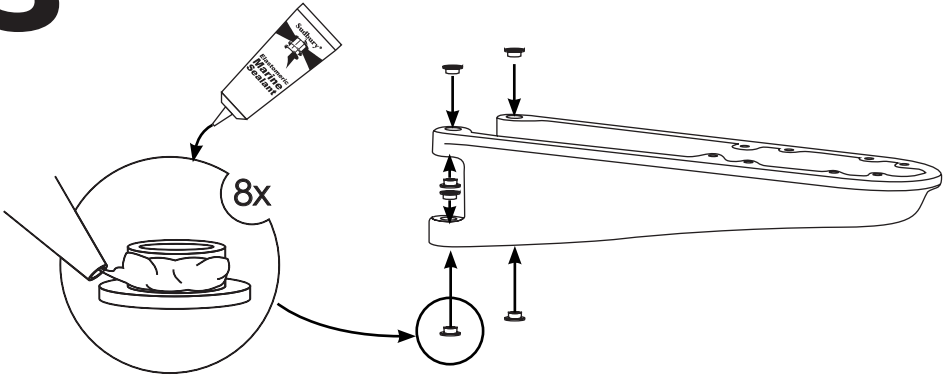
**2**

SM-14-F2 Mast Mount foot assembly.



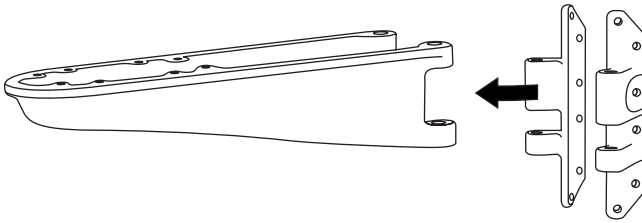
# 3

Apply marine adhesive sealant to the eight shoulder washers, then insert them into the mast mount as shown.



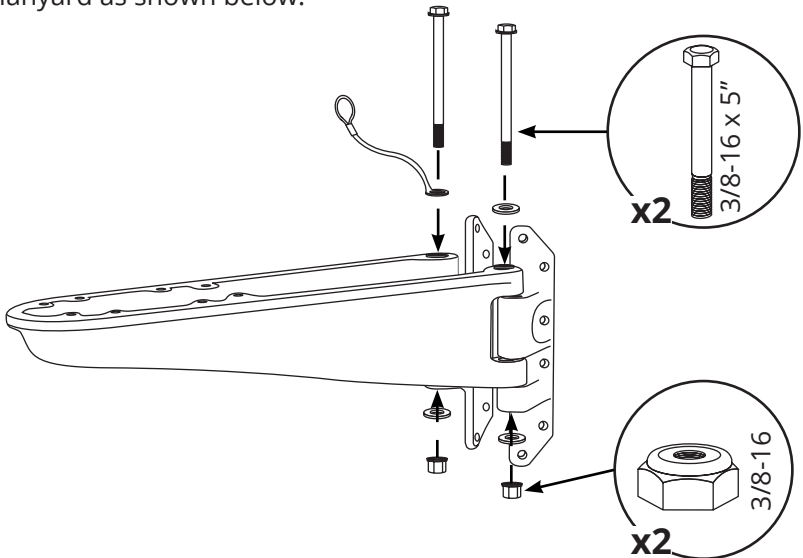
# 4

Once all shoulder washers are inserted attach the two mast mount feet.

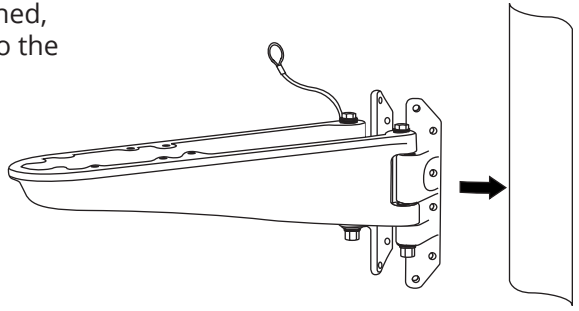


# 5

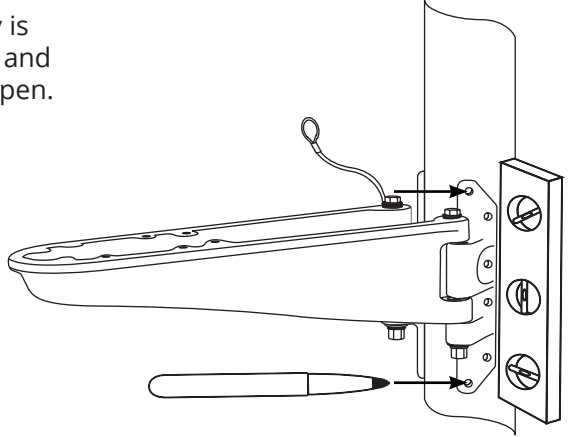
Insert the two bolts along with the three washers, two nuts and lanyard as shown below.



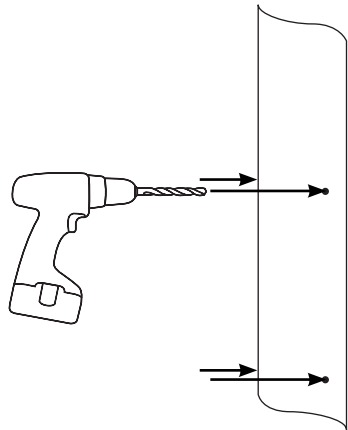
**6** Once the feet are attached, place the assembly onto the mast.



**7** Make sure the assembly is level, then mark the top and bottom bolt hole with a pen.

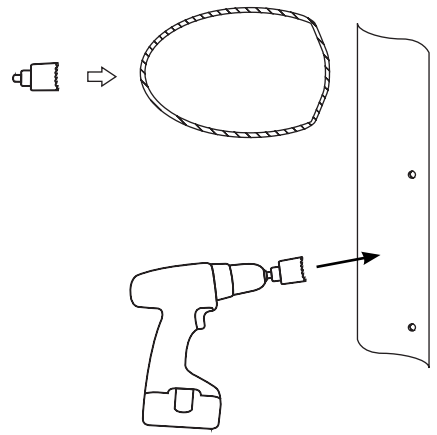


**8** Once you've marked the four holes use a 3/16" drill bit to drill into the mast.



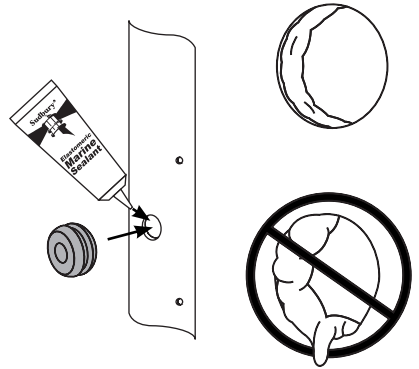
# 9

Using a 25mm hole saw, drill into the center of the mast to run our electronic cables.



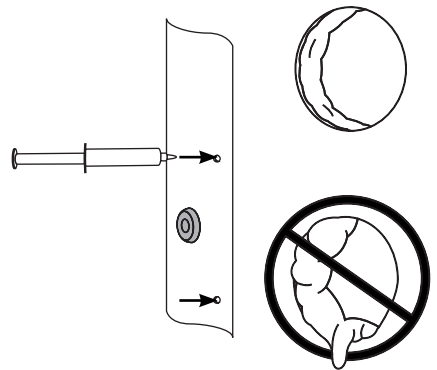
# 10

Apply marine adhesive sealant in the hole you just drilled. Be sure not to apply too much. Then insert the rubber grommet.



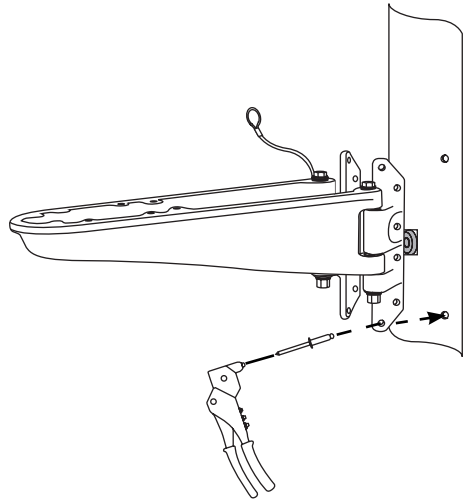
# 11

Apply Tef-Gel to the four holes you drilled for the mast mount feet. Again be sure not to apply too much.



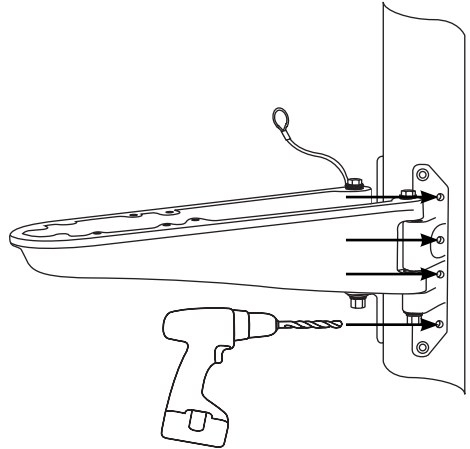
# 12

Secure the mast mount assembly to the mast using the supplied rivets.



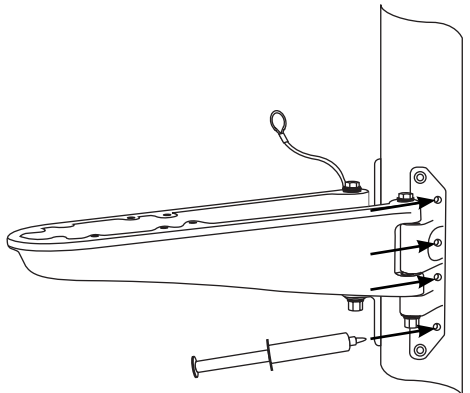
# 13

Using a 3/16" drill bit drill the remaining eight holes in the mast mount feet.



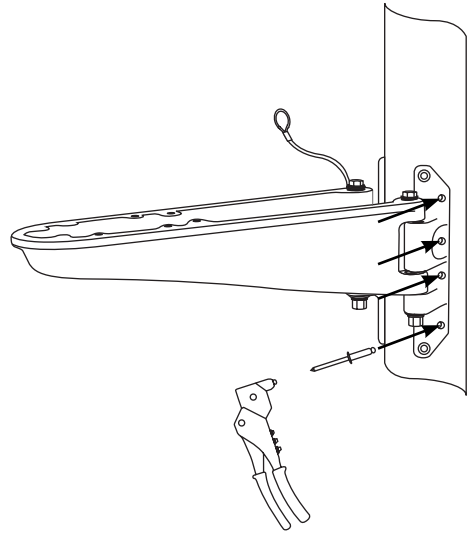
# 14

Apply Tef-Gel to the eight holes you just drilled.

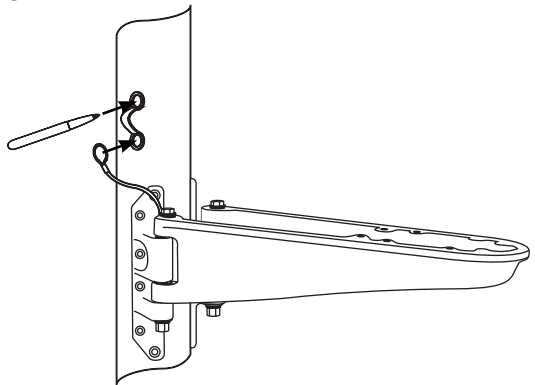




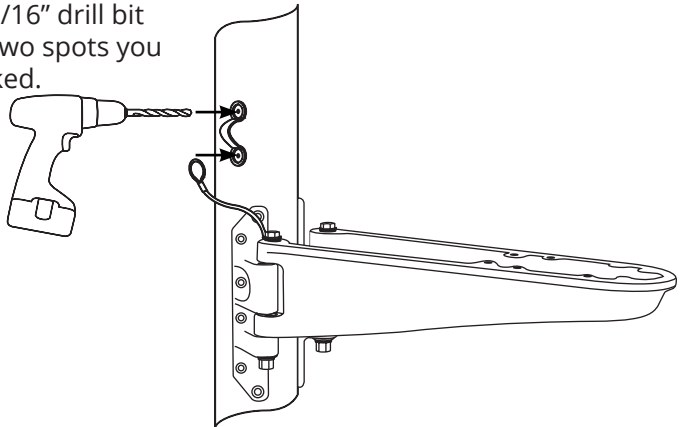
**15** Insert the rivets into the remaining eight holes.



**16** Mark two holes for the latch.

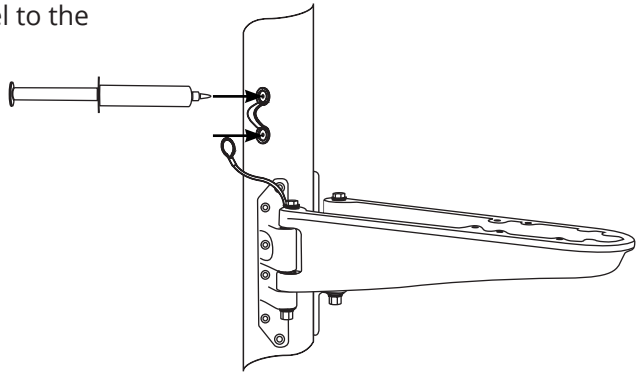


**17** Using a 3/16" drill bit drill the two spots you just marked.



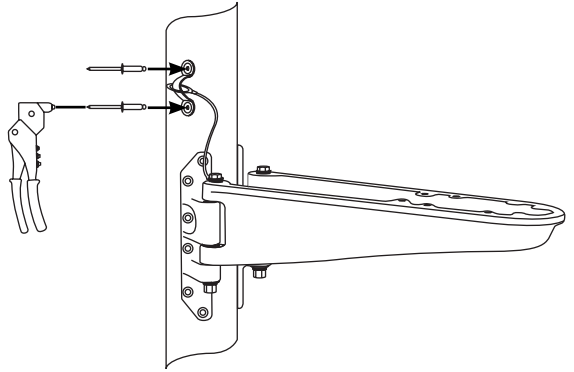
# 18

Apply Tef-Gel to the two holes.



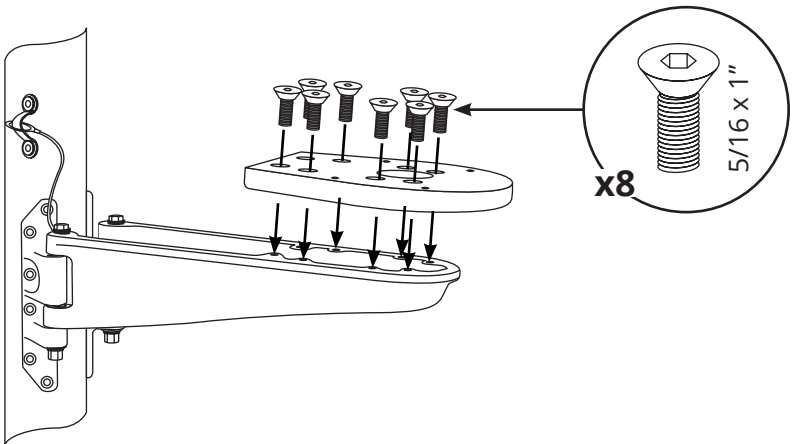
# 19

Secure the latch with two rivets.



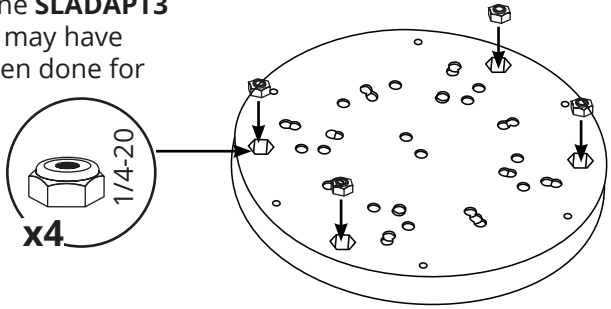
# 20

Use the eight 5/16 x 1" bolts to secure the adapter plate to the body of the mast mount.



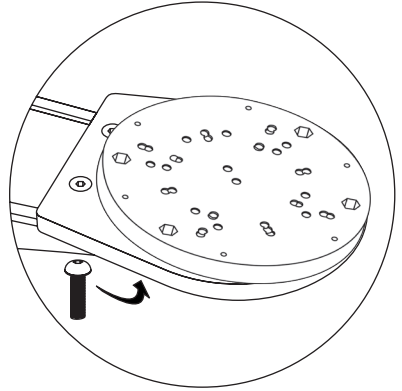
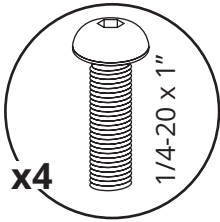
# 21

Insert the four 1/4-20 nuts into the **SLADAPT3** plate. This may have already been done for you.



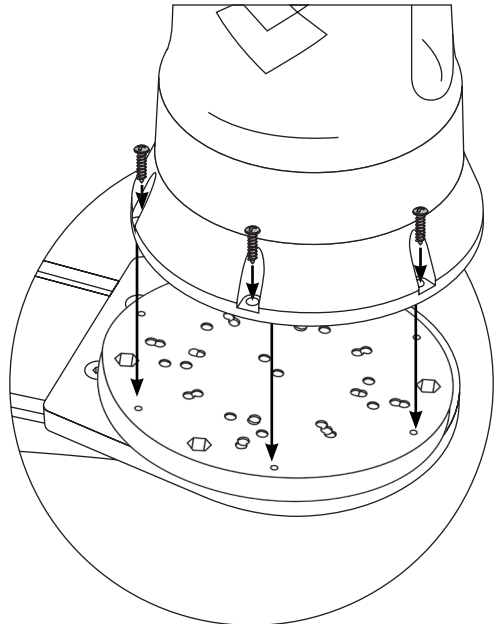
# 22

Secure the **SLADAPT3** plate to the adapter plate using the four 1/4-20 x 1" bolts.



# 22

Screw the camera to the **SLADAPT3** using the six #12 x 1" screws with a philips head screwdriver.



The background of the entire page is a light gray topographic map with white contour lines. The lines are irregular and wavy, representing elevation changes across a landscape. The map is centered and covers the entire area.

***SEAVIEW***///  
***ELEVATE YOUR ELECTRONICS***

***SEAVIEW***///

Tel: 800-655-7922  
[www.seaviewglobal.com](http://www.seaviewglobal.com)

***EUROPEAN OFFICE***

Tel: +33 4 94 53 27 70  
[www.seaviewprogress.com](http://www.seaviewprogress.com)