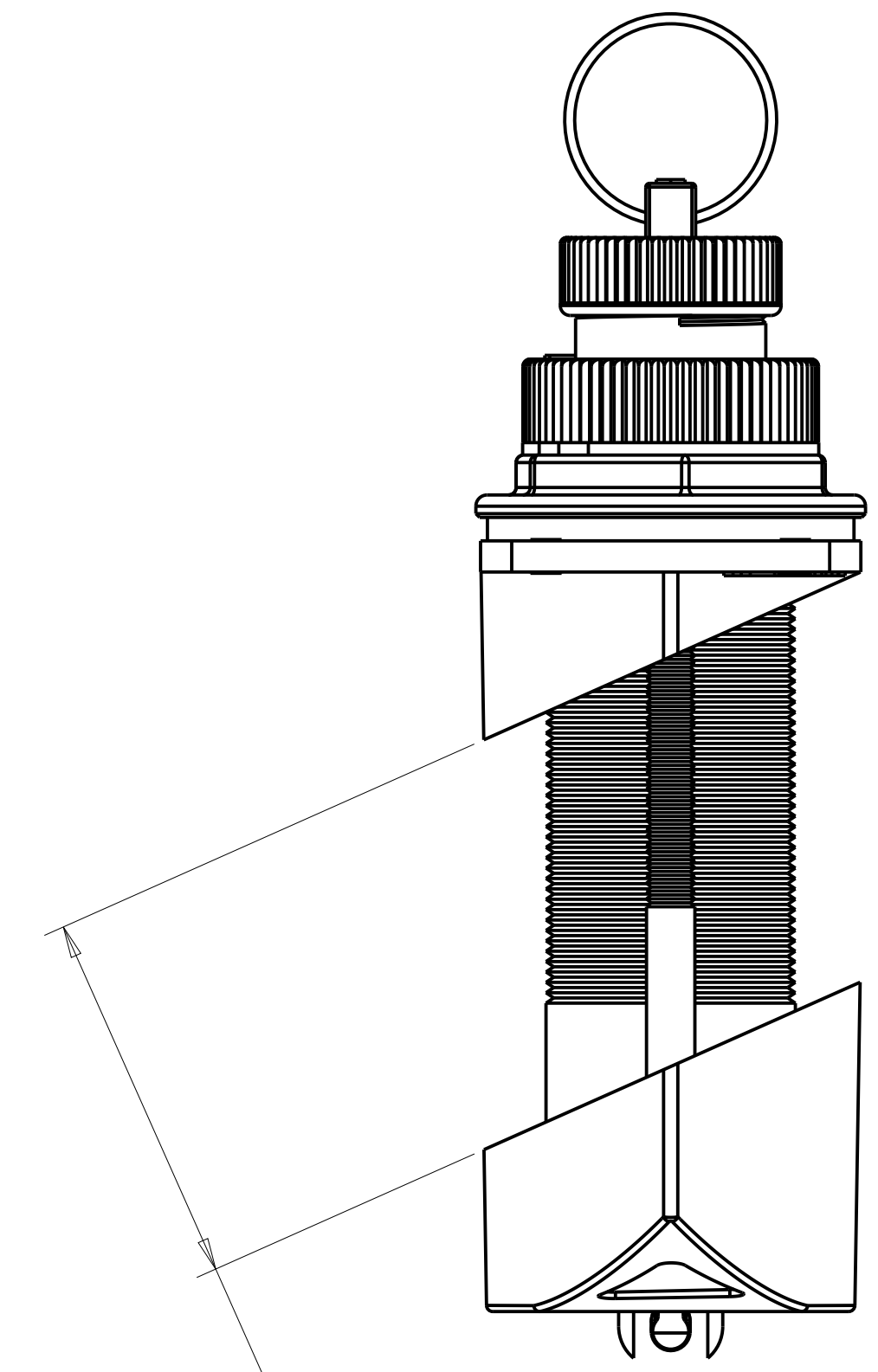
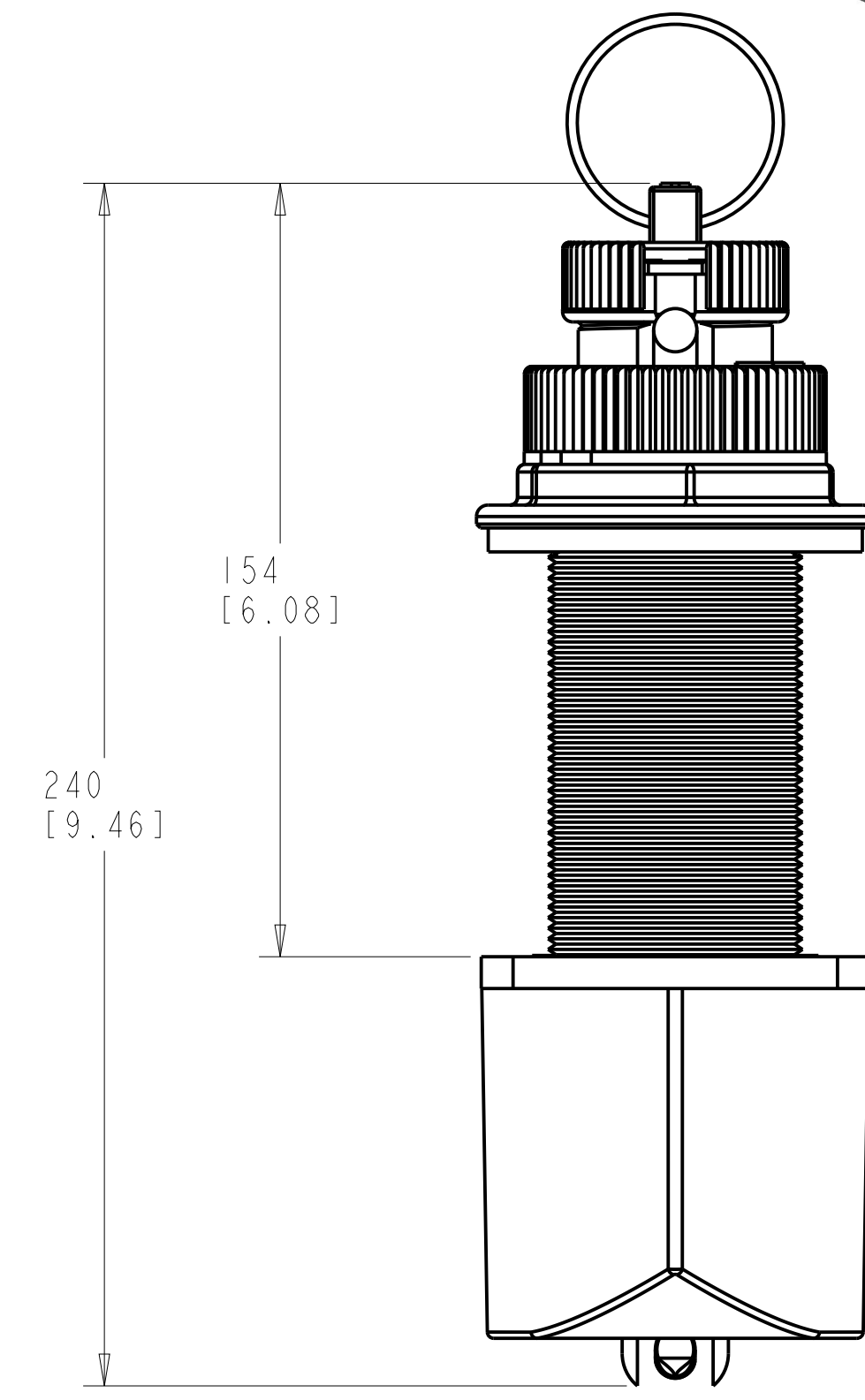
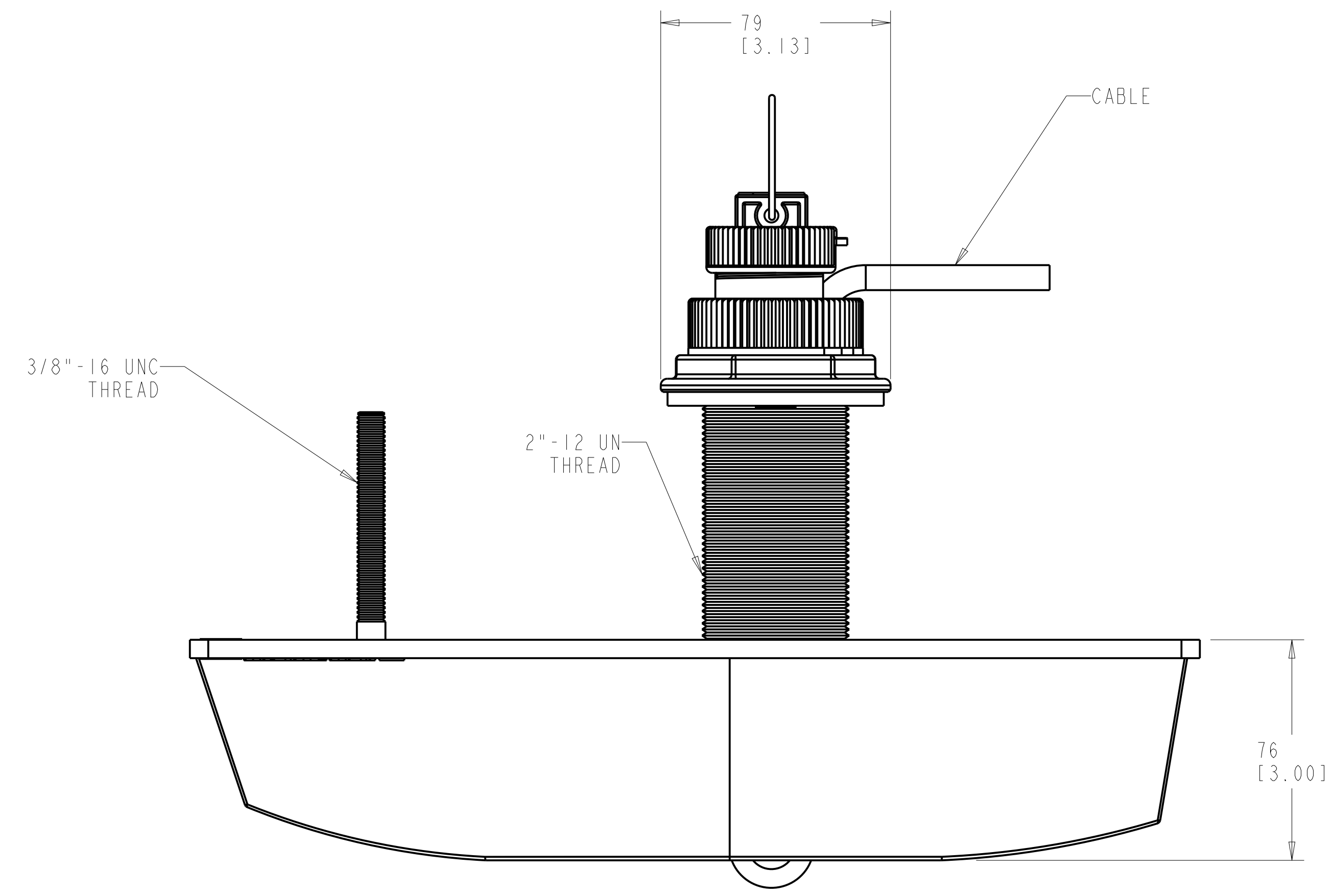
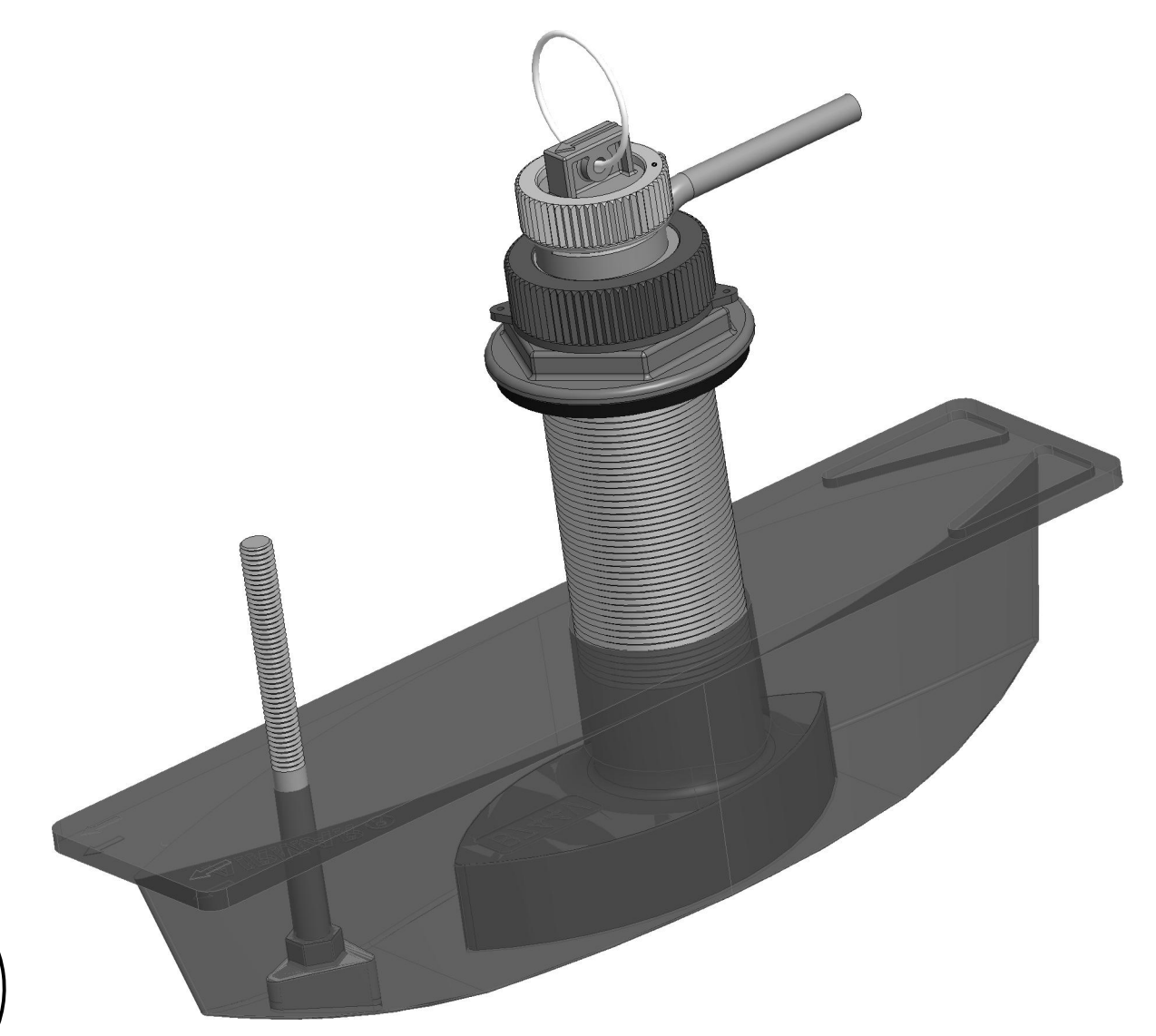
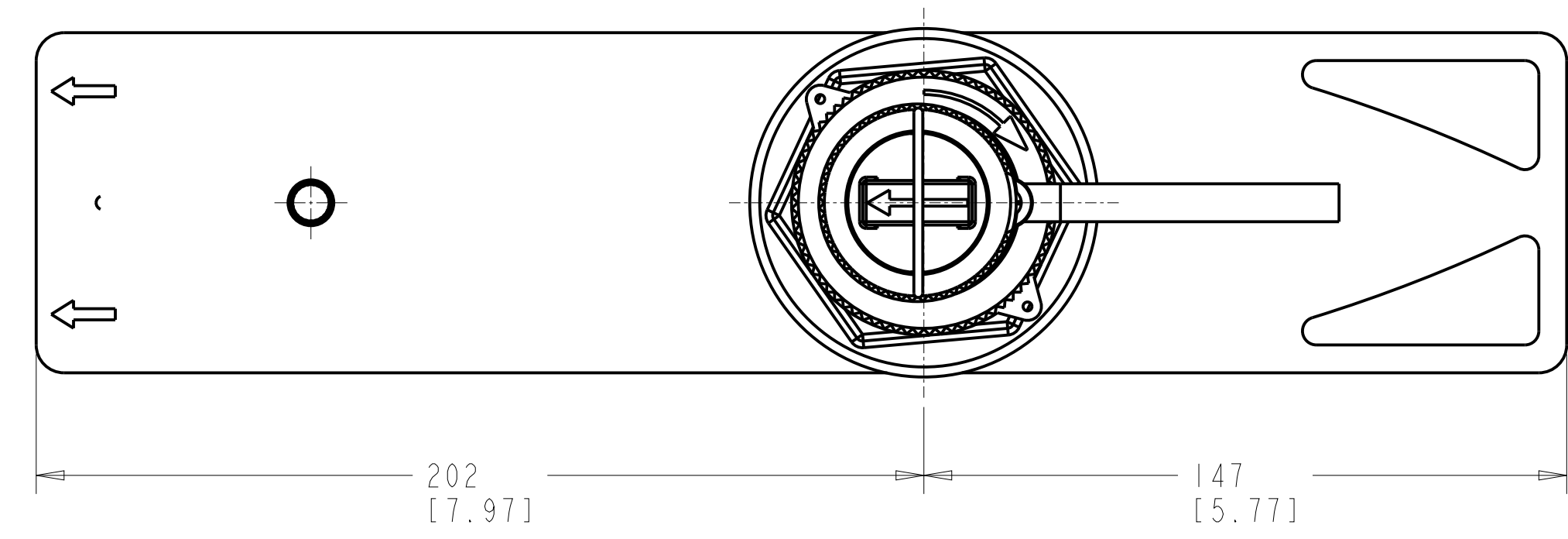
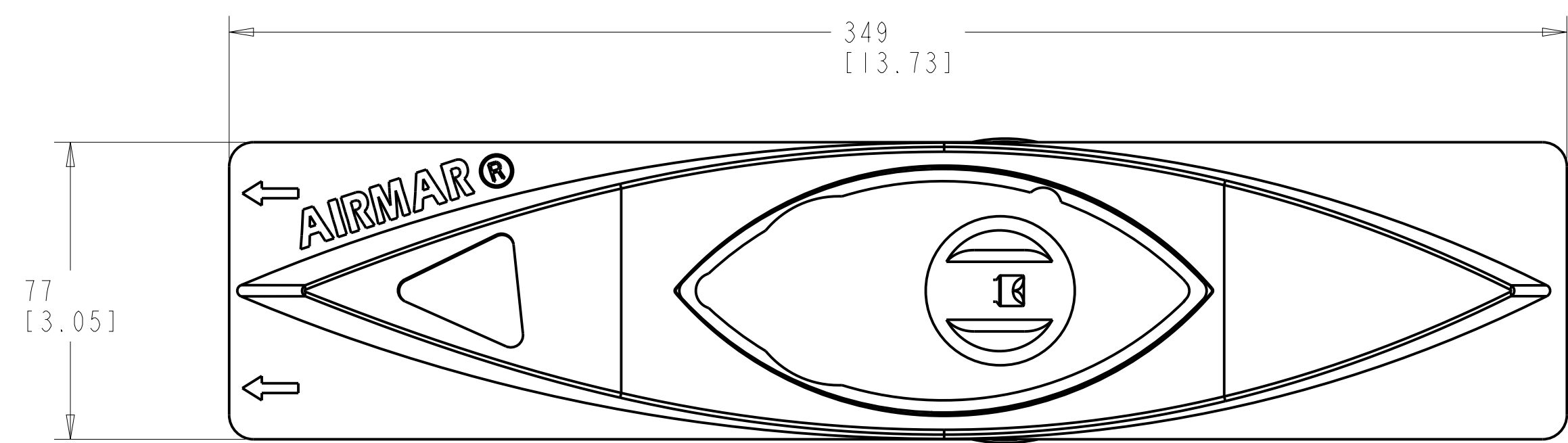


THIRD ANGLE PROJECTION		DOCUMENT REVISIONS		
REV	DESCRIPTION	CO. NO.	DATE	CHG/CHK
1	INITIAL RELEASE	2727	06/16/21	DLS/JD



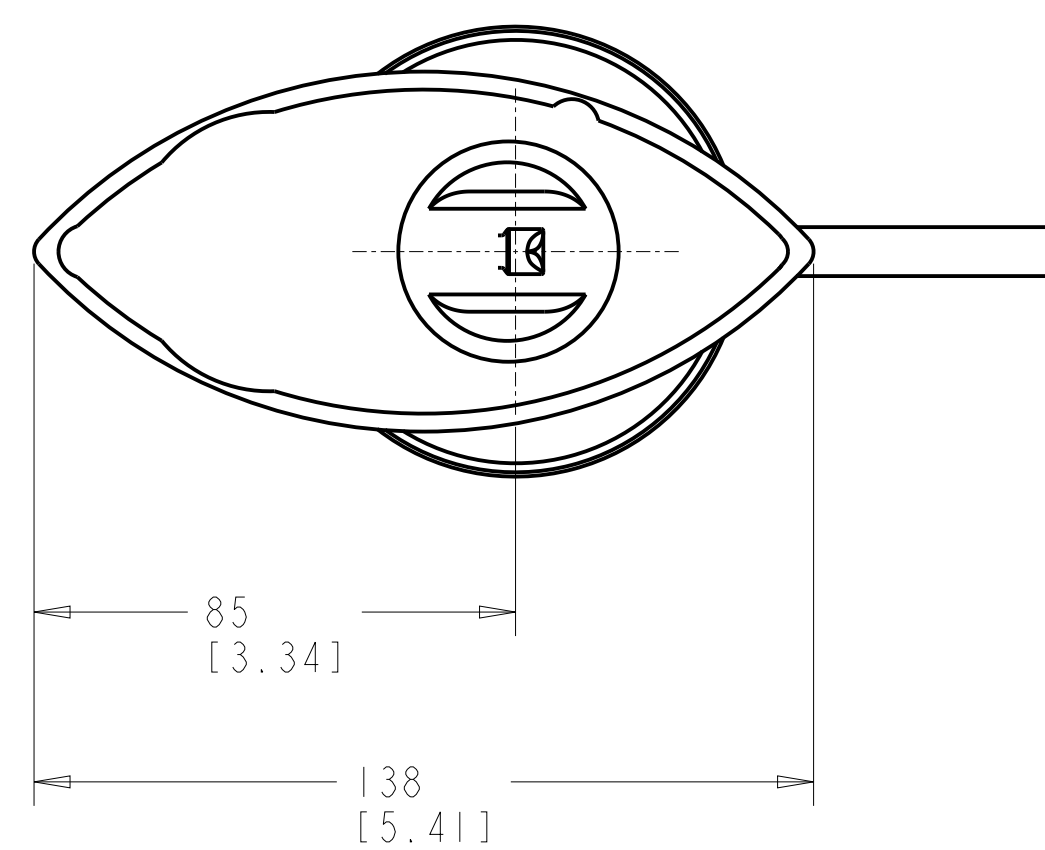
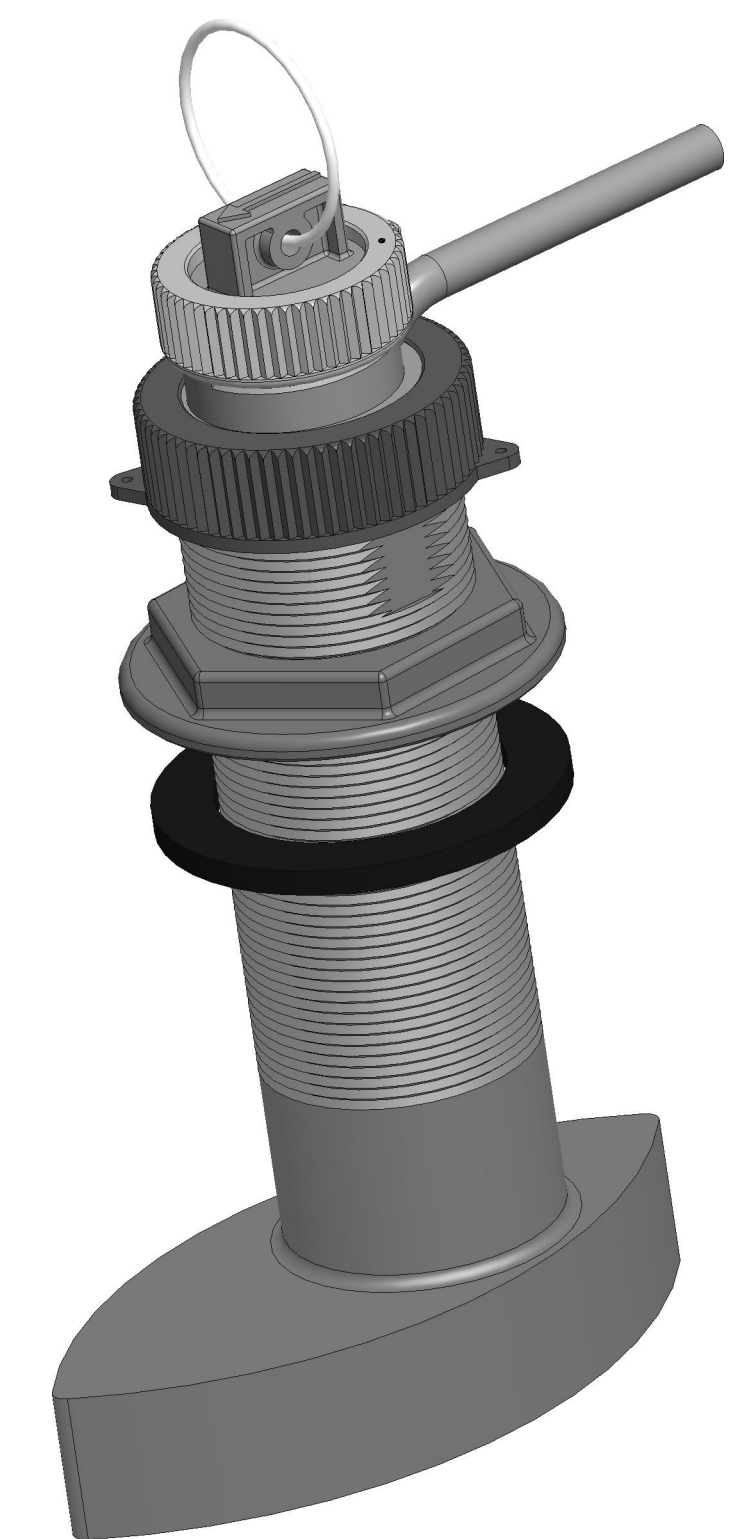
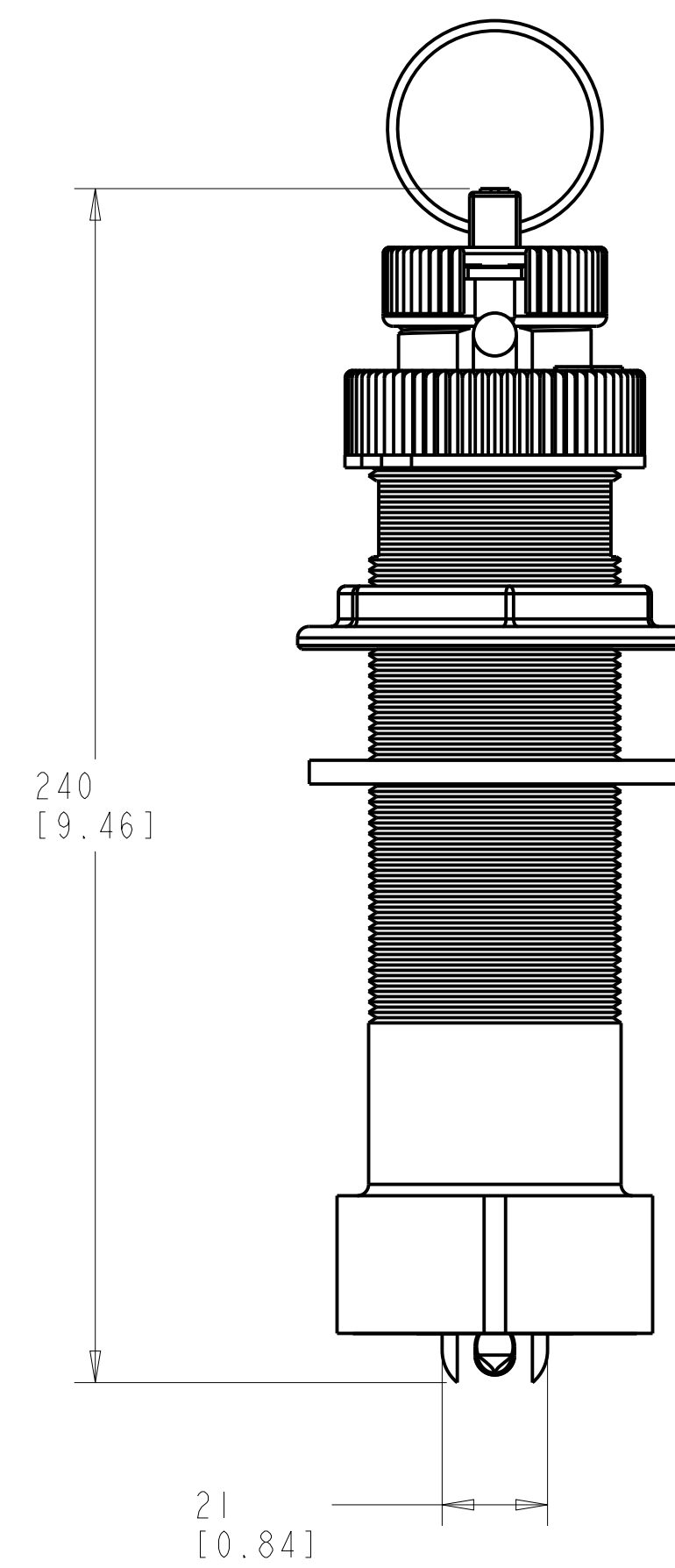
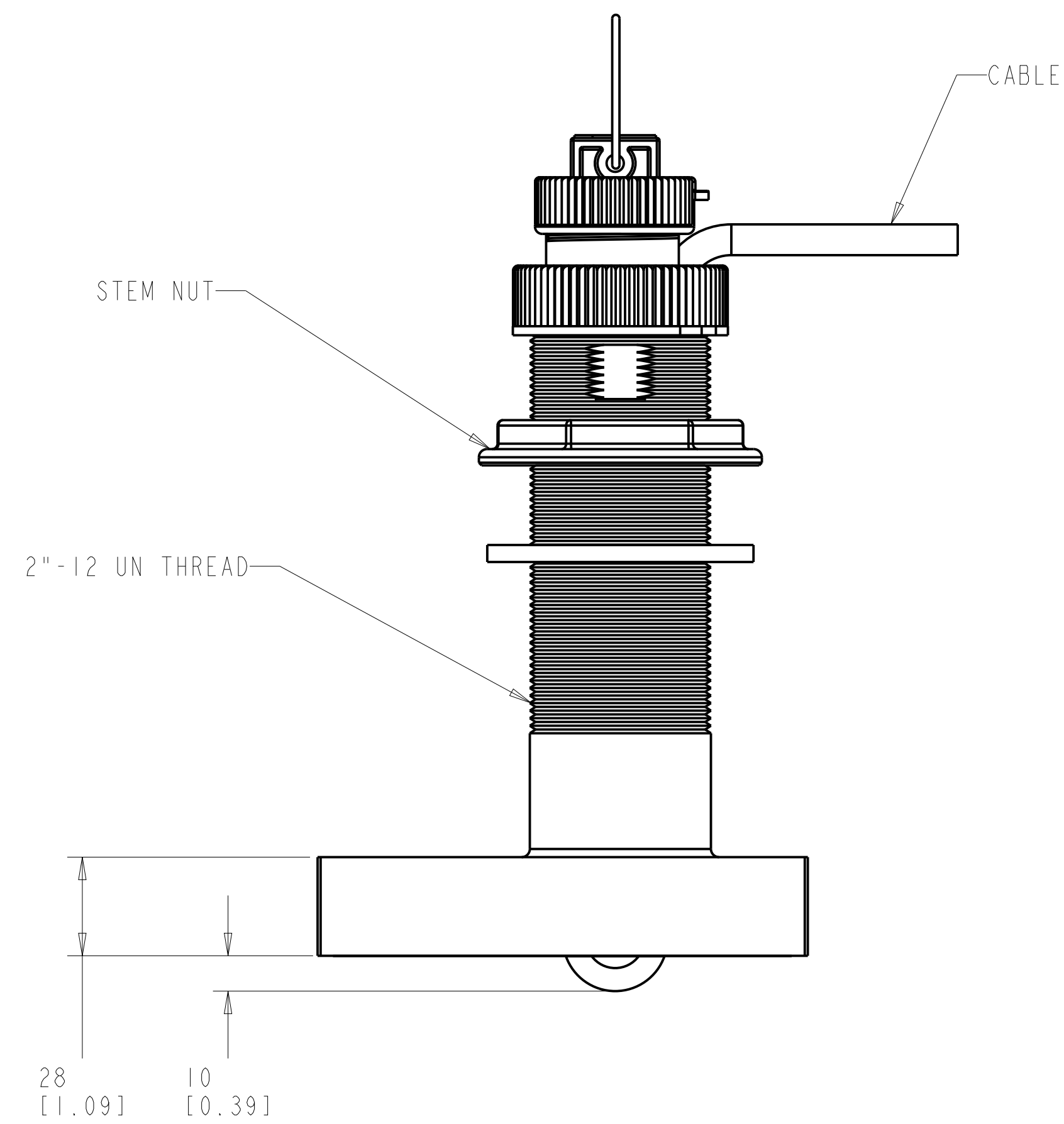
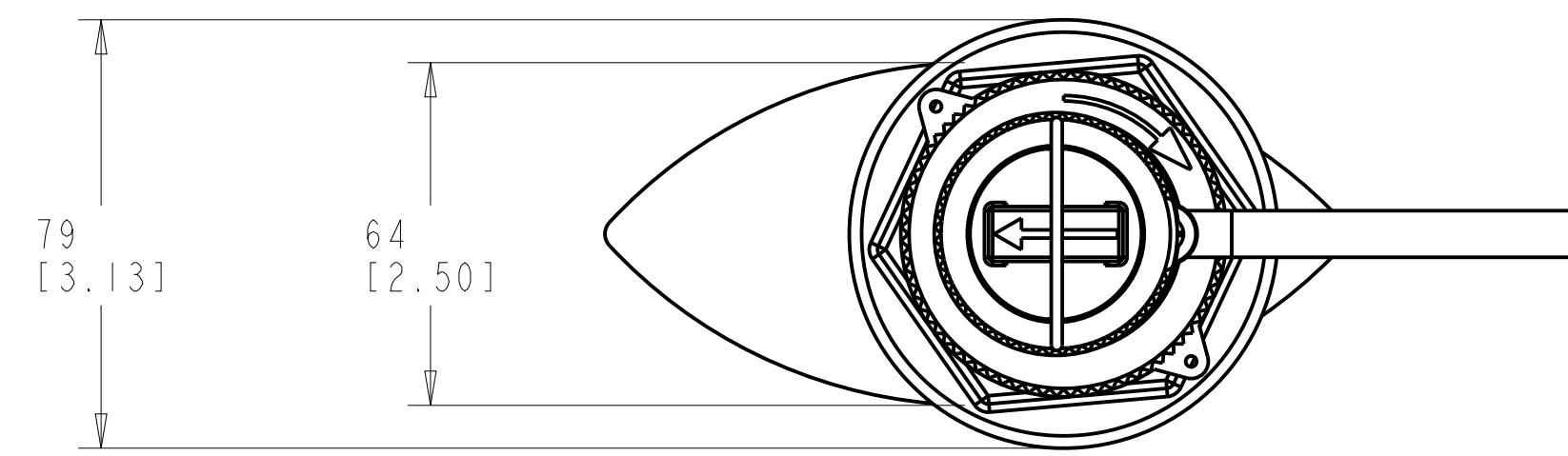
76
[3.00]
MAX HULL THICKNESS
AT 24° DEAD RISE ANGLE



UNLESS OTHERWISE SPECIFIED	SIGNATURE	DATE
DIMENSIONS ARE IN INCHES	DRAWN: D. SPALDING	05/24/2018
TOLERANCES ON	CHECKED: J. DECARLO	05/26/21
2 PL DECIMALS: ±0.02		
3 PL DECIMALS: ±0.005		
ANGLES: ±1/2°		
FRACTIONS: ±1/16		
SURFACE FINISH: √63		
MATERIAL	HOUSING, STEM, HARDWARE: BRONZE	
	ACOUSTIC WINDOW: URETHANE	
	FAIRING: GLASS FILLED, IMPACT RESISTANT PLASTIC	

PART NUMBER	N/A	P/N REV	N/A
		AIRMAR TECHNOLOGY CORPORATION 35 MEADOWBROOK DR. MILFORD, NH 03055-4613 USA TEL: 603-673-9570 FAX: 603-673-4624	
TITLE		OUTLINE DRAWING	
		B744VL W/FAIRING	
SIZE	SCALE: 3/4	DOC NUMBER	DOC REV
D	SHEET 1 OF 2	D-20015	1

THIS DOCUMENT AND THE DATA DISCLOSED HEREIN OR HERewith IS NOT TO BE REPRODUCED, USED, OR DISCLOSED IN WHOLE OR IN PART TO ANYONE WITHOUT THE PERMISSION OF AIRMAR. CRITICAL DIMENSION (REF) DO NOT SCALE DRAWING



PART NUMBER	N/A	P/N REV	N/A
-------------	-----	---------	-----

AIRMAR AIRMAR TECHNOLOGY CORPORATION
 35 MEADOWBROOK DR.
 MILFORD, NH 03055-4613 USA
 TEL: 603-673-9570 FAX: 603-673-4624

TITLE
 OUTLINE DRAWING
 B744VL W/O FAIRING

SIZE	SCALE: 3/4	DOC NUMBER	DOC REV
D	SHEET 2 OF 2	D-20015	1

THIS DOCUMENT AND THE DATA DISCLOSED HEREIN OR HEREWITH IS NOT TO BE REPRODUCED, USED, OR DISCLOSED IN WHOLE OR IN PART TO ANYONE WITHOUT THE PERMISSION OF AIRMAR.

CRITICAL DIMENSION (REF) DO NOT SCALE DRAWING